

# BECKER NAV

## NAVIGATION



### RMU 5000 - Integrated Radio Management Unit

■ The BECKER Integrated Radio Management Unit RMU 5000 provides “state of art” centralized control for up to three separate functions thus saving valuable installation space in a crowded avionics panel.

Compact & light, the LBA/JTSO certified RMU, perfectly complements the Becker professional PrimeLine remote controlled Avionics equipment package.

It is available in two different models.

Model 1 provides control for VHF-COM Transceiver, VOR-ILS Receiver & Transponder, plus additional encoder based indication of actual flight level.

Model 2 controls COM, VOR/ILS plus ADF and, together with the receiver units, completes the European basic IFR equipment requirement.

The non-reflecting LCD Display is sunlight readable and due to its adjustable backlight it is equally readable during night operations.

Optional tandem capability further satisfies the requirements for trainer aircraft.

For ease of installation the RMU 5000 may be housed in either the standard 160 mm single compact case or, alternatively, in a DZUS mountable version. ■

# BECKER AVIONIC SYSTEMS

## Features of the RMU 5000 include :

- simple, intuitive controls
- compact, panel - saving size
- sunlight readable LC display
- adjustable backlight
- available interface for BECKER equipment (standard interface for others on request)
- tandem function optional (usable for trainer aircraft)

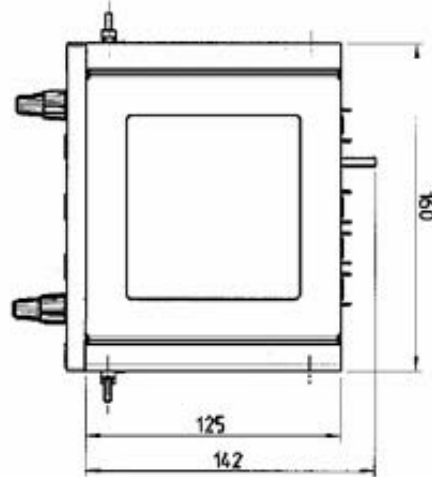
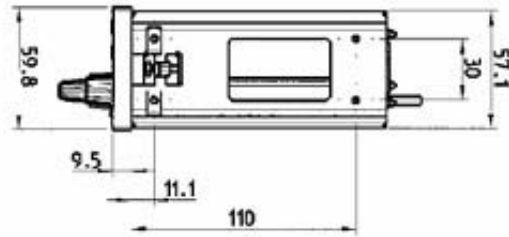
## Two models in DZUS or Standard (160 mm) size are available for your RMU system :

- RMU 5000-1           COM, NAV, XPDR
- RMU 5000-2           COM, NAV, ADF

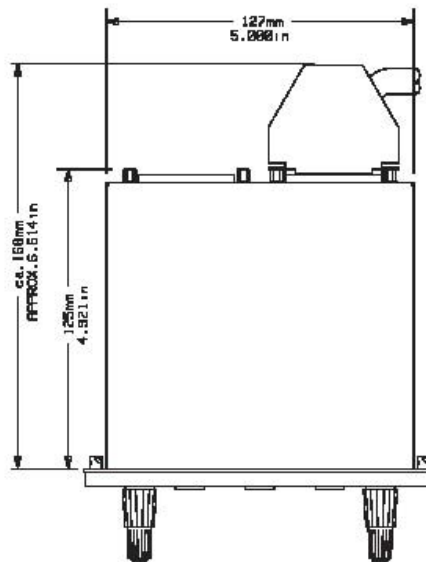
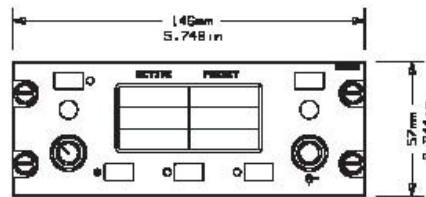
These are designed to remotely control Becker VHF transceiver, Becker NAV receiver, Becker XPDR and Becker ADF.

## JAR TSO will be as follows :

- JTSO-2C37e           (COM - TX)
- JTSO-2C38e           (COM - RX)
- JTSO-2C40c           (VOR)
- JTSO-C36e            (LOC)
- JTSO-2C41d           (ADF)
- JTSO-C74c            (ATC)
- LBA.O.10.530/01



(Standard mount)



(DZUS mount)

